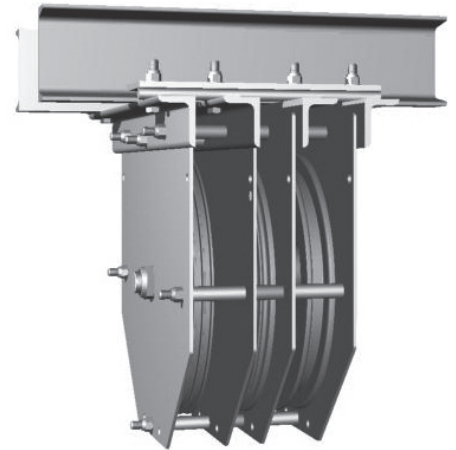


Custom Blocks

- We can design custom blocks to meet your specific requirements
- Nylon, steel, or ASTM Class 30 grey iron sheaves are available
- Blocks may contain one or more sheaves;
Sheaves can be mounted on a single axle or mounted in a tandem configuration for use in upgrading historic theaters and for use with drum hoists that must be mounted close to the head blocks
- Base angles or other mounting methods are available to meet your requirements
- Three-year warranty against defects in materials or workmanship is provided on all J.R. Clancy equipment, additional warranty information is available at jrclancy.com

Ordering Information

Please provide specifications and a drawing or sketch showing your requirements.



Custom Block

